

Data sheet

Art.No.: 73.700.6458.0

female insert HD BUC 64 25

revos BASIC HD 64 pole + ground, female insert 250V/10A, crimp connection



Art.No.	73.700.6458.0
EAN	4015573230255
Order Unit	10

certificates / approvals



Technical data

general

model	female insert
inflammability class of insulation material acc. with UL94	V0
color	grey
mating cycles	50
pollution degree	3
suitable for modular version	no
operating temperature range min.	-40 °C
operating temperature range max.	120 °C

connection data

connection type	crimp
number of poles	64
plus switching contacts	0
number of pole for rated current 2	0
number of pole for rated current 3	0
total number of poles (without ground contact)	64
with wire protection	no
protective contact	yes

technical data UL/CSA

nominal voltage according to UL/CSA	600 V
nominal current according CSA	10 A

min. conductor cross section flexible wire	0.2 mm ²
max. conductor cross section flexible wire	1.5 mm ²
conductor cross section flexible AWG wire	24-16 AWG

model

with housing	no
--------------	----

contacts

contact material	see contacts
surface	see contacts
contact resistance	≤ 4 mOhm
wire strip length	4 mm

screws head design/recomm. Torque

mounting screws	H1/0.5-0.7 Nm
ground conductor screws	M3.5/0.8-1.0 Nm slot

technical data DIN EN 61984

nominal voltage	250 V
nominal voltage face/ground	250 V
nominal current	10 A
rated impulse voltage	4 kV

classification

ECLASS 11	
ECLASS 8.1	27440205
ETIM 9.0	EC000438
ETIM 8.0	EC000438
ETIM 7.0	EC000438
ETIM 6.0	EC000438
ETIM 5.0	EC000438
ETIM 4.0	EC000438

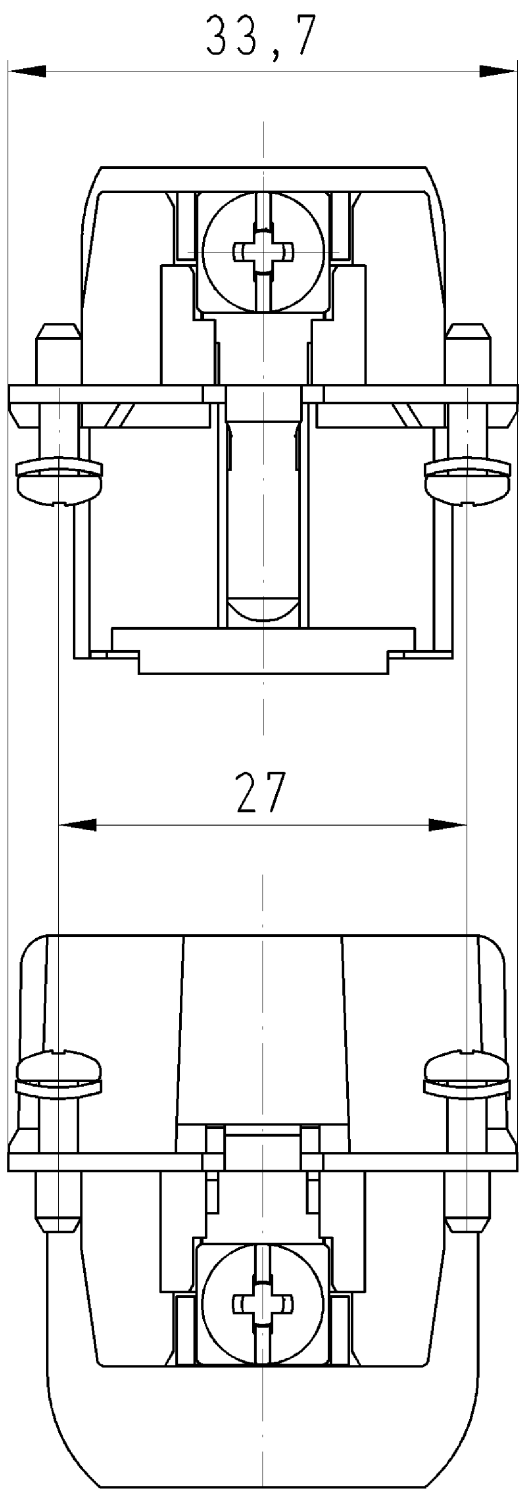
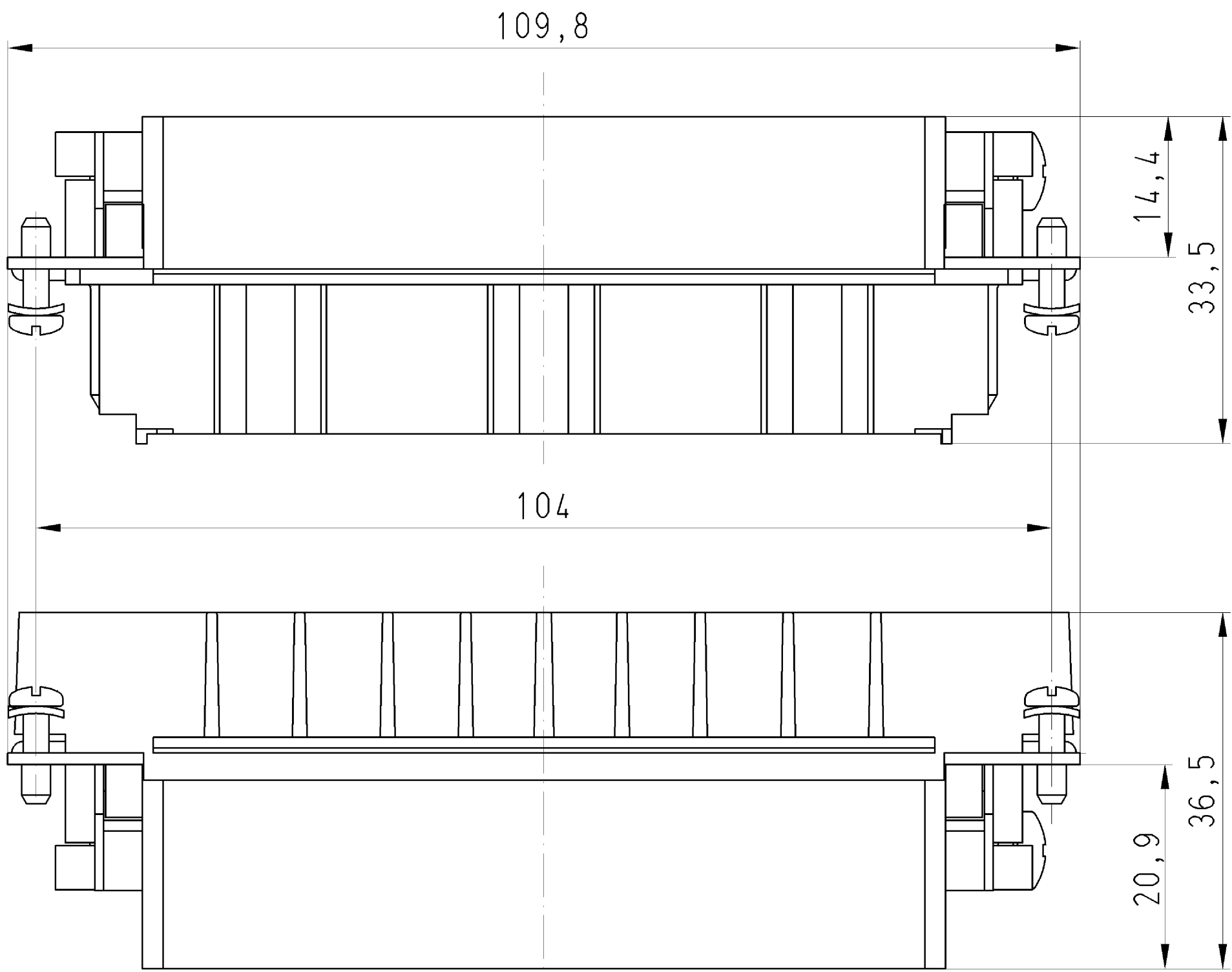
product compliance

ROHS conformity status	compliant
REACH-SVHC conformity status	compliant

Accessories

Art.No.:	Article/type description:	Description:
02.124.0929.0	female contact 0,2-0,56 QMM	Female contact, stamped Ø 1,6 mm, 0,2-0,56 mm ² , AWG 24-20, Sn
02.124.1000.0	female contact 0,5-1,5 QMM	Female contact, stamped Ø 1,6 mm, reel contacts, 0,75-1,5 mm ² , AWG 18-16, Sn
02.124.1029.0	female contact 0,5-1,5 QMM	Female contact, stamped Ø 1,6 mm, 0,5-1,5 mm ² , AWG 18-16, Sn
02.124.1400.0	female contact 0,5-1,5 QMM AU	Female contact, stamped Ø 1,6 mm, reel contacts, 0,5-1,5 mm ² , AWG 20-16, Au
02.124.1429.0	female contact 0,5-1,5 QMM AU	Female contact, stamped Ø 1,6 mm, 0,5-1,5 mm ² , AWG 20-16, Au

○ Diese Maße werden bei Abnahme besonders geprüft
 □ Ausschließlich Prüfmaße
 M11/Æ Rekanzeichnete Maße sind nur für interne Zwecke gültig



Buchseneinsatz
 sockert insert
 73.700.6458.0

Steckereinsatz
 plug insert
 73.710.6458.0

Weitere Daten siehe Katalog
further data see catalog

Freitoleranz nach DIN -		CAD - Zeichnung, keine manuellen Änderungen			1. Verwendung: -		Bl.: 1 von 1		
	Maßstab	Werkstoff und Oberfläche:		2005	Tag	Name		Zeichnung Nr.	Index
	2:1			Entworfen	25.02.	Schmitt J.			
				Geprüft	-	-		T	73.700.6458.0 01K
				Normgepr.	-	-			
Buchstabe Datum / Blatt		wieland Elektrische Verbindungen		Benennung		Ersatz für: -			
Änderung				KONTAKTEINSATZ		Buchseneinsatz / Steckereinsatz		sockert insert / plug insert	

Weitergabe sowie Vervielfältigung dieses Dokuments, Verwertung und Mitteilung
 seines Inhalts sind verboten, soweit nicht ausdrücklich gestattet.
 The reproduction, distribution and utilization of this document as well as the
 communication of its contents to others without express authorization is prohibited.

737006458001K_4_CADW028_Schnitt_2005-03-01T12:22:52_1.000